

MATERIAL AND FINISH:

Insulator: PBT, glass fiber, black, UL-94V-0

Contacts: Copper Alloy

ELECTRICAL SPECIFICATIONS:

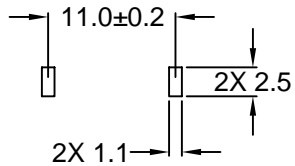
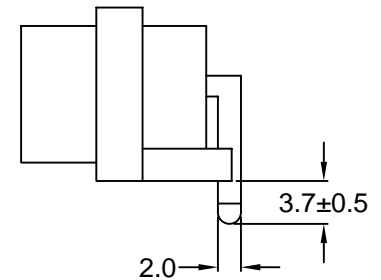
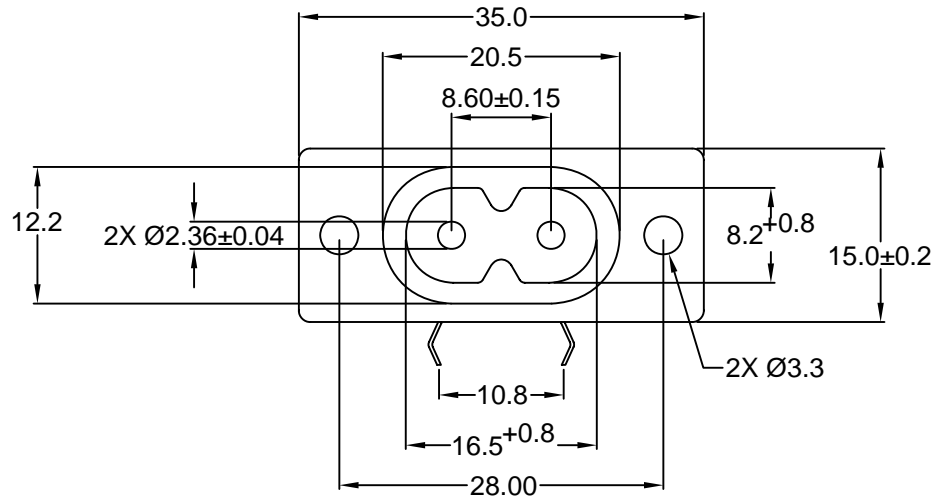
Rated current: 2.5A

Rated voltage: 250VAC 

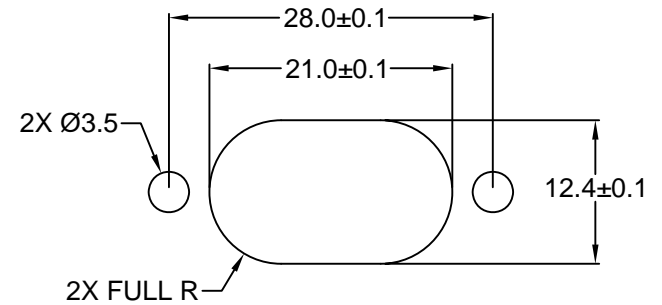
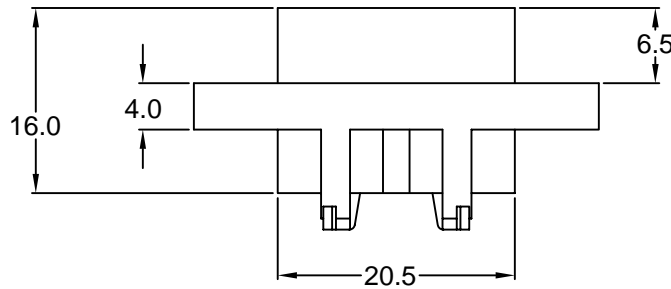
Insulation resistance: 100 Mohm min. @ 500VDC

Dielectric withstanding voltage: 2000VAC for one minute

RoHS  
COMPLIANT



RECOMMENDED  
PCB LAYOUT (TOP VIEW)



RECOMMENDED  
PANEL CUTOUT

REVISIONS	REV	DATE	CHANGE	CHNG	CHK	APPR
	A	5/9/00	REVISED & UPDATED	TD	JJ	PB
	B	11/13/01	REVISED / UPDATED	GQ	TD	PB

TOLERANCE UNLESS OTHERWISE SPECIFIED			
X	± 1		
X.X	± 0.4		
X.XX	± 0.20		
DRAWN BY	BP	DATE:	4/10/00
CHECK BY	JJ	DATE:	4/11/00
APPR BY	SS	DATE:	4/11/00

**Power Dynamics, Inc.**  
Phone: 973 560-0019 Whippany, New Jersey Fax: 973 560-0076

PART: MINIATURE IEC 60320 C8 APPL. INLET; MATING  
FACE EXTENDED 6.5mm FROM FLANGE, PCB MOUNT

PART #: <b>42R51-5127</b>		SHEET 1 of 1
SIZE: A	ALL DIMENSIONS FOR REFERENCE ONLY DIMENSIONS ARE IN MILLIMETERS	
SCALE: NTS	REV: <b>B</b>	